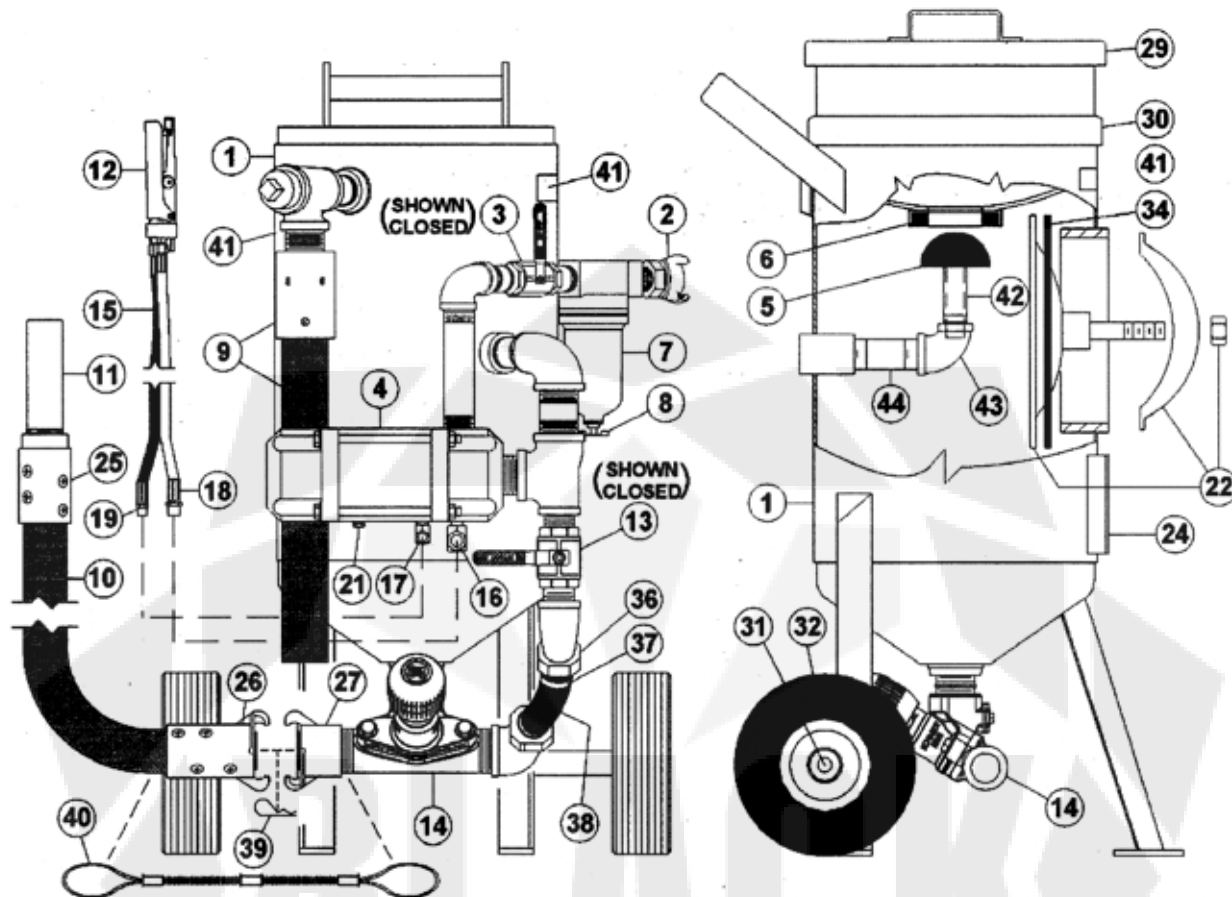


1.5 Cu.Ft. Blaster with Pneumatic Controls - Pressure Release



1" MV3 Valve Piping

ITEM	PART NUMBER	DESCRIPTION
1	1021-001-01	Pressure vessel, 1.5 cu. Ft.
2	4208-106	Crowfoot, 1" 2-lug with gasket
	4209-999	Crowfoot gasket
3	2401-506	Air inlet ball valve, 1"
4	2223-000	ComboValve®
5	2100-000	Popup head, 1 bag (See Popup & Internal Piping page.)
6	2100-001	Popup gasket, 1 bag
7	2302-206-05	Air filter, 1"
8	-----	Air filter drain valve
9	4115-005	Blowdown hose assembly, 3/4" x 18"
10	4104-XXX-XX	Blast hose assembly (specify size)
11	5000-XXX	Blast nozzle (specify size)
12	2263-002	G2 Deadman valve
13	2401-506	Choke ball valve, 1"
14	2128-107	MV3, 1-1/4"
15	4100-501	Twinline hose assembly, 55 ft
	4100-701	Twinline hose assembly, 110 ft
16	4203-502-02	Swivel 90°, 1/4"
17	4203-500-00	Swivel 90°, 1/8"
18	-----	Twinline connection, 1/4"
19	-----	Twinline connection, 1/8"
21	2014-300	Breather vent, 1/8"
22	7000-001-11	Handway crab assembly, 6" x 8"

ITEM	PART NUMBER	DESCRIPTION
24	-----	Pressure vessel nameplate
25	4215-XXX	Nozzle holder (specify size)
26	4213-XXX	Blast hose coupling (specify size)
27	4214-108	Threaded coupling, 1-1/4" with gasket
	4214-999	Coupling gasket
29	5010-010	Lid, 12" (Optional)
30	5011-010	Screen, 12" (1/4" mesh) (Optional)
31	7040-003	Axle, 1 bag (as of April, '95)
	7019-519	Nylock nut, 3/4"
32	7046-002	Wheel, 1 bag
34	7000-001-18	Handway gasket 6" x 8" (SureFit™)
36	4205-106	Hose insert swival, 1" with gasket
	4205-106-99	Hose swival gasket, 1"
37	4235-006	Hose clamp double bolt, 1"
38	4102-006	Air hose, 1"
39	7119-002	Safety Pin, Air/Blast Hose Coupling
40	8710-98778	Hose whip check (safety cable)
41	7031-999-02	Warning decal kit
42	3030-005-11	Nipple TOE, 3/4" x 3" lg
43	3010-006-05	Reducing Elbow, 90° 1" x 3/4"
44	3029-006-14	Nipple TBE, 1" x 5" lg
45	-----	-----
46	-----	-----

\* Old pots may have an MicroValve or MV2



3.5 - 20 Cu.Ft. Blaster with Pneumatic Controls - Pressure Release

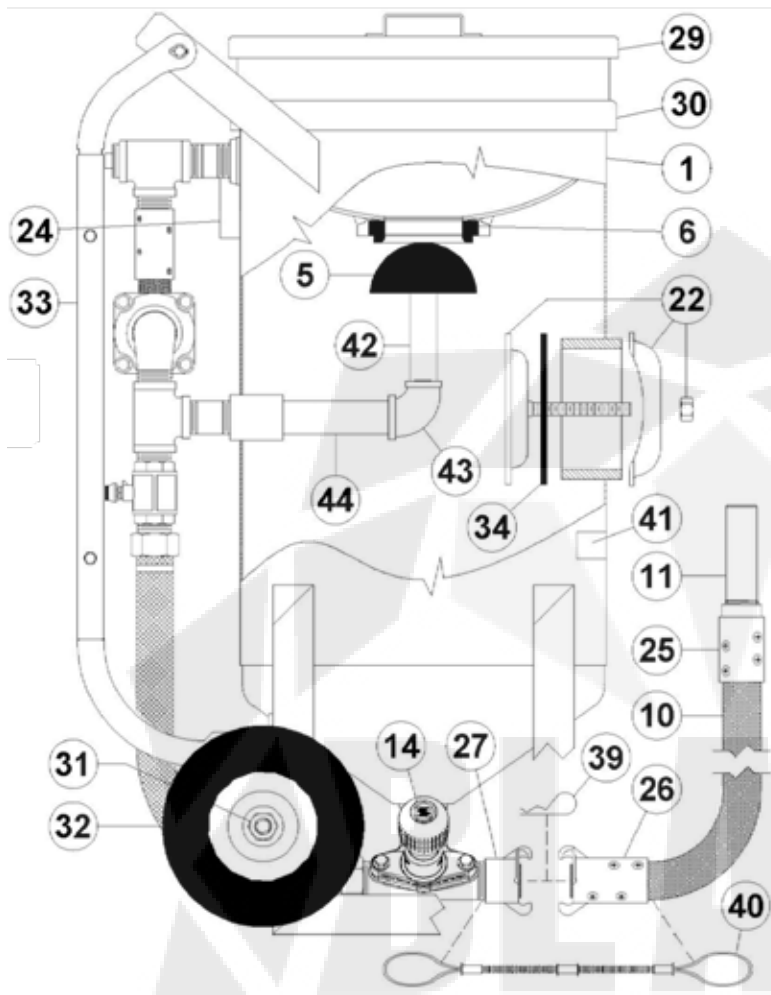
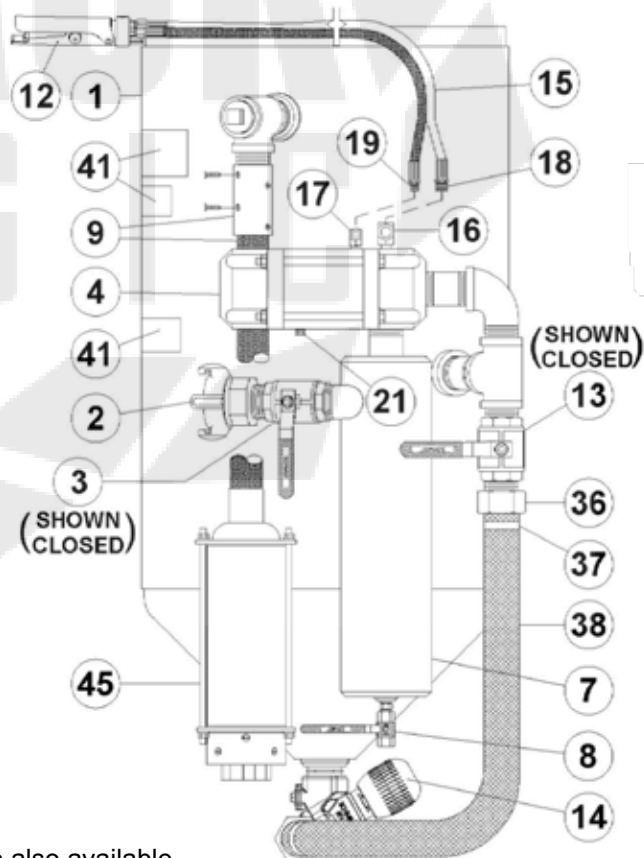


Diagram for 3.5 -20 cuft blaster pots with Schmidt pressure release metering valve and pneumatic remote controls.



#34 SureFit™ Handway Gasket  
7000-001-18

Non-OEM parts are also available.

Schmidt  
Blast Pots



3.5 - 20 Cu.Ft. Blaster with Pneumatic Controls - Pressure Release

#	Piping	Part No.	Description	#	Blast Pot	Part No.	Description
1	All	1021-003-01	Pressure Vessel, 3.5 cu. ft.	26	All	specify size	Coupling, Blast hose
		1021-006-01	Pressure Vessel, 6.5 cu. ft.	27	All	specify size	Coupling, Threaded
		1022-010-01	Pressure Vessel, 10 cu. ft.	28		N/A	N/A
		1012-020-05	Pressure Vessel, 20 cu. ft.	29	See Size	5010-030	Lid, 18" (optional)
2	1" Piping	4208-106	Crowfoot, 1" 2-lug with gasket			5010-060	Lid, 24" (optional)
		4209-999	Crowfoot gasket			5010-200	Lid, 36" (optional)
2	1-1/4" Piping	4211-107	Crowfoot, 1-1/4" 4-lug / gasket	30	See Size	5011-030	Screen, 18" (1/4" mesh)
		4211-999	Crowfoot gasket			5011-060	Screen, 24" (1/4" mesh)
2	1-1/2" Piping	4211-108	Crowfoot, 1-1/2" 4-lug / gasket			5011-200	Screen, 36" (1/4" mesh)
		4211-999	Crowfoot gasket	31	See Size	7040-003	Axle, 3.5 cu.ft.
3	1" Piping	2401-506	Ball Valve as Air Inlet, 1"			7019-519	Nylock nut, 3/4" (3.5 cu.ft.)
		2401-507	Ball Valve as Air Inlet, 1-1/4"			7040-006	Axle, 6.5/10 cu.ft.
3	1-1/4" Piping	2401-508	Ball Valve as Air Inlet, 1-1/2"			7019-527	Nylock nut, 3/4" (6.5/10 cu.ft.)
				N/A	Not available for 20 cu.ft.		
4	All	2223-000	Combo Valve	32	See Size	7046-003	Wheel, 3.5 cu.ft.
5	All	2100-010-04	Popup head (2100-010 Old Style)			7046-006	Wheel, 6.5/10 cu.ft.
6	All	2100-011-04	Popup gasket (2100-011 Old Style)			N/A	Not available for 20 cu.ft.
7	1" Piping	1200-006	Moisture Separator, 1"	33	See Size	7002-003	Load Skid, 3.5 cu.ft.
	1-1/4" Piping	1200-007	Moisture Separator, 1-1/4"			7002-006	Load Skid, 6.5 cu.ft.
	1-1/2" Piping	1200-008	Moisture Separator, 1-1/2"			7002-010	Load Skid, 10 cu.ft.
8	All	2401-502	Drain ball valve, 1/4"			N/A	Not available for 20 cu.ft.
9	3.5 & 6.5 cu.ft.	4115-005	Blowdown hose assy, 18"	34	All	7000-001-18	Handway gasket, 6"x8" (old style 7000-001-06)
	For 10 cuft	4115-005-02	Blowdown hose assy, 24"				
10	All	Specify Size	Blast hose assy	35		N/A	N/A
11	All	Specify Size	Blast nozzle	36	1" Piping	4205-106	Swivel Insert, 1" /gasket
12	All	2263-002	G2 Deadman valve			4205-106-99	Insert Gasket
13	1" Piping	2401-506	Ball Valve as Choke Valve, 1"			4205-107	Swivel Insert, 1-1/4" /gasket
	1-1/4" Piping	2401-507	Ball Valve as Choke Valve, 1-1/4"			4205-107-99	Insert Gasket
	1-1/2" Piping	2401-508	Ball Valve as Choke Valve, 1-1/2"			4205-108	Swivel Insert, 1-1/2" /gasket
14	1" & 1-1/4" Piping	21XX-107	Microvalve, See Microvalve page	4205-108-99	Insert Gasket		
	1-1/2" Piping	21XX-108	Microvalve, See Microvalve page	37	1" Piping	4235-006	Hose clamp, double bolt, 1"
15	All	4100-501	Twinline hose assy, 55 ft.			4235-007	Hose clamp, double bolt, 1-1/4"
		4100-701	Twinline hose assy, 110 ft.			4235-008	Hose clamp, double bolt, 1-1/2"
16	All	4203-502-02	Swivel 90°, 1/4"MNPT x 1/4"F	38	1" Piping	4102-006	Air Hose, 1"
17	All	4203-502-00	Swivel 90°, 1/8"MNPT x 1/8"F			4102-007	Air Hose, 1-1/4"
18	All	4204-301-00	Twinline connection, 1/4"			4102-008	Air Hose, 1-1/2"
19	All	4204-301-02	Twinline connection, 1/8"	39	All	7119-002	Safety Pin, hose coupling
20		N/A	N/A	40	All	8710-98778	Hose Whip Check, (safety cable)
21	All	2014-300	Breather vent, 1/8"	41	All	7031-999-02	Warning decal kit
22	All	7000-001-11	Handway assy, 6"x8" with gasket	42	All	3030-006-XX	Pop-Up Nipple
23		N/A	N/A	43	All	3010-00X-XX	Reducing Elbow
24	All		Pressure vessel nameplate	44	All	3029-00X-XX	Nipple TBE
25		specify size	Nozzle holder specify material	45	All	2011-501	VBS II

Schmidt  
Blast Pots



3.5 - 20 Cu.Ft. Blaster with Electric Controls - Pressure Release

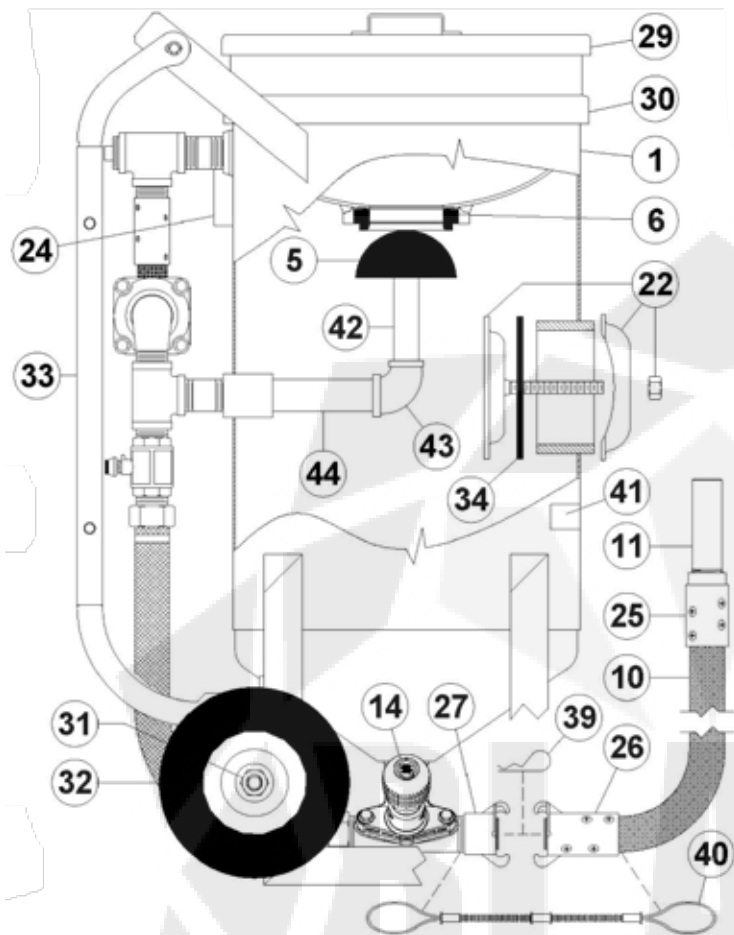
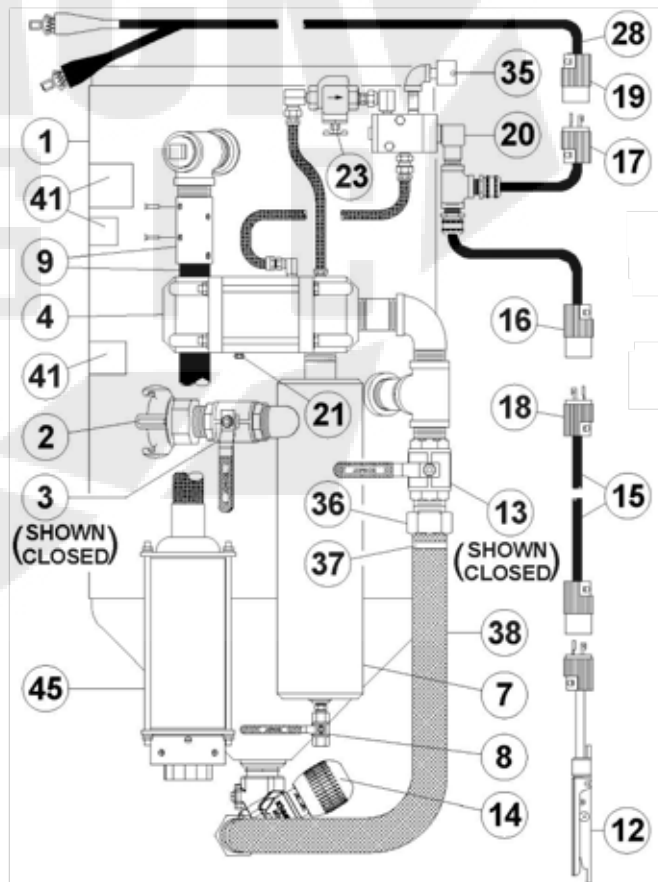


Diagram for 3.5 -20 cuft blast pots with Schmidt pressure release metering valve and electric remote controls.



#34 SureFit™ Handway Gasket  
7000-001-18

Schmidt  
Blast Pots

Non-OEM parts are also available.



3.5 - 20 Cu.Ft. Blaster with Electric Controls - Pressure Release

#	Piping	Part No.	Description	#	Blast Pot	Part No.	Description	
1	All	1021-003-01	Pressure Vessel, 3.5 cu. ft.	26	All	specify size	Coupling, Blast hose	
		1021-006-01	Pressure Vessel, 6.5 cu. ft.	27	All	specify size	Coupling, Threaded	
		1022-010-01	Pressure Vessel, 10 cu. ft.	28	All	7072-012	N/A	
		1012-020-05	Pressure Vessel, 20 cu. ft.	29	See Size	5010-030	Lid, 18" (optional)	
2	1" Piping	4208-106	Crowfoot, 1" 2-lug with gasket			5010-060	Lid, 24" (optional)	
		4209-999	Crowfoot gasket			5010-200	Lid, 36" (optional)	
	1-1/4" Piping	4211-107	Crowfoot, 1-1/4" 4-lug / gasket	30	See Size	5011-030	Screen, 18" (1/4" mesh)	
		4211-999	Crowfoot gasket			5011-060	Screen, 24" (1/4" mesh)	
	1-1/2" Piping	4211-108	Crowfoot, 1-1/2" 4-lug / gasket			5011-200	Screen, 36" (1/4" mesh)	
		4211-999	Crowfoot gasket	31	See Size	7040-003	Axle, 3.5 cu.ft.	
3	1" Piping	2401-506	Ball Valve as Air Inlet, 1"			7019-519	Nylock nut, 3/4" (3.5 cu.ft.)	
		2401-507	Ball Valve as Air Inlet, 1-1/4"			7040-006	Axle, 6.5/10 cu.ft.	
		2401-508	Ball Valve as Air Inlet, 1-1/2"			7040-006-02	Axle, 10 cu.ft. secondary	
4	All	2223-000	Combo Valve			7019-527	Nylock nut, 3/4" (6.5/10 cu.ft.)	
						N/A	Not available for 20 cu.ft.	
5	All	2100-010-04	Popup head, (2100-010 Old Style)	32	See Size	7046-003	Wheel, 3.5 cu.ft.	
6	All	2100-011-04	Popup gasket, (2100-011 Old Style)			7046-006	Wheel, 6.5/10 cu.ft.	
7	1" Piping	1200-006	Moisture Separator, 1"			N/A	Not available for 20 cu.ft.	
		1-1/4" Piping	1200-007	Moisture Separator, 1-1/4"	33	See Size	7002-000	Load Skid, 3.5 & 6.5 cu.ft.
		1-1/2" Piping	1200-008	Moisture Separator, 1-1/2"			N/A	Not available for 10 cu.ft.
N/A	Not available for 20 cu.ft.							
8	All	2401-502	Drain ball valve, 1/4"	7000-001-18	All	Handway gasket, 6"x8", (old style 7000-001-06)		
							4115-005	Blowdown hose assy, 18"
9	3.5 & 6.5 cu.ft.	4115-005-02	Blowdown hose assy, 24"	2013-402	All	Dust Eliminator, 1/4"		
		Specify Size	Blast hose assy					
10	All	Specify Size	Blast nozzle	36	1" Piping	4205-106	Swivel Insert, 1" /gasket	
11	All	Specify Size	Blast nozzle			4205-106-99	Insert Gasket	
12	All	2263-402	Electric Deadman			4205-107	Swivel Insert, 1-1/4" /gasket	
						4205-107-99	Insert Gasket	
						4205-108	Swivel Insert, 1-1/2" /gasket	
13	1" Piping	2401-506	Ball Valve as Choke Valve, 1"	4205-108-99	Insert Gasket			
		2401-507	Ball Valve as Choke Valve, 1-1/4"					
14	1" & 1-1/4" Piping	21xx-107	Microvalve, See Microvalve page	37	1-1/2" Piping	4235-006	Hose Clamp, double bolt, 1"	
		21xx-108	Microvalve, See Microvalve page			4235-007	Hose Clamp, double bolt, 1-1/4"	
15	All	7074-055	Electric cord, 55 ft	4235-008	Hose Clamp, double bolt, 1-1/2"			
		7074-110	Electric cord, 110 ft.					
16	All	7109-300	Female connector, 3-prong twist lock	38	1" Piping	4102-006	Air Hose, 1"	
17	All	7109-301	Male plug, 3-prong twist-lock			4102-007	Air Hose, 1-1/4"	
18	All	7109-301	Male plug, 3-prong twist-lock			4102-008	Air Hose, 1-1/2"	
19	All	7109-300	Female connector, 3-prong twist lock	39	All	7119-002	Safety Pin, hose coupling	
20	All	2229-100	Control valve, 12 Vdc	40	All	8710-98778	Hose Whip Check, (safety cable)	
		7112-000	Power tee, 12 Vdc with coil & connectors	41	All	7031-999-02	Warning decal kit	
21	All	2014-300	Breather vent, 1/8"	42	All	3030-006-xx	Pop-Up Nipple	
22	All	7000-001-11	Handway assy, 6"x8" with gasket	43	All	3010-00x-xx	Reducing Elbow	
23		2301-902-90	Bronze strainer, 1/4" 90 micron	44	All	3029-00x-xx	Nipple TBE	
24	All		Pressure vessel nameplate	45	All	2011-501	VBS II	
25		specify size	Nozzle holder specify material					

Schmidt  
Blast Pots



3.5 - 20 Cu.Ft. Blaster with Pneumatic Controls - Pressure Hold

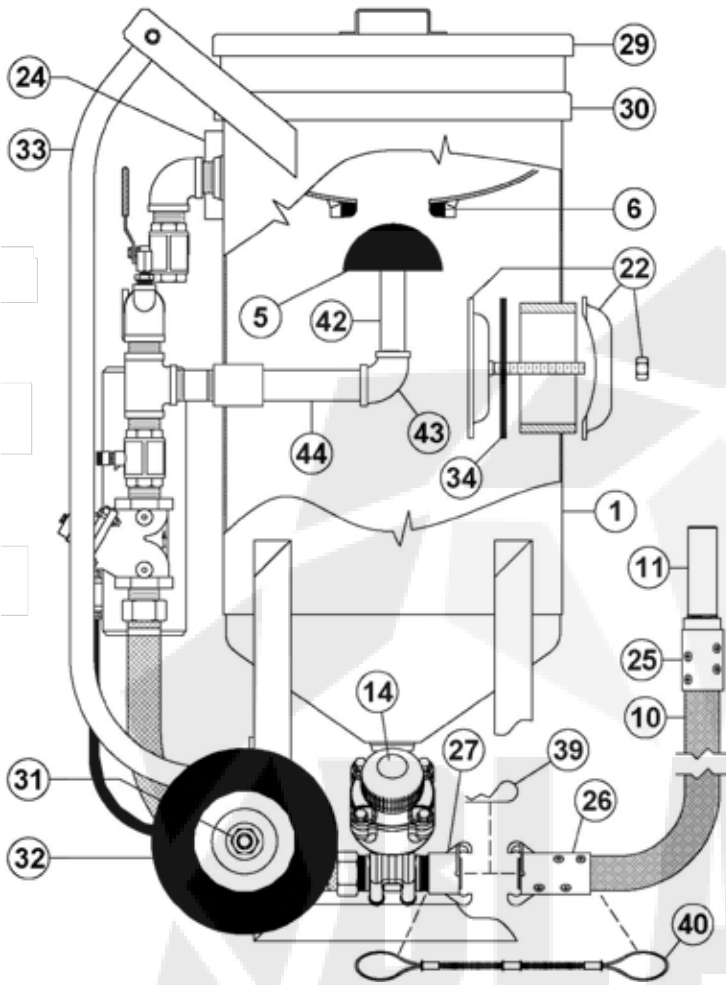
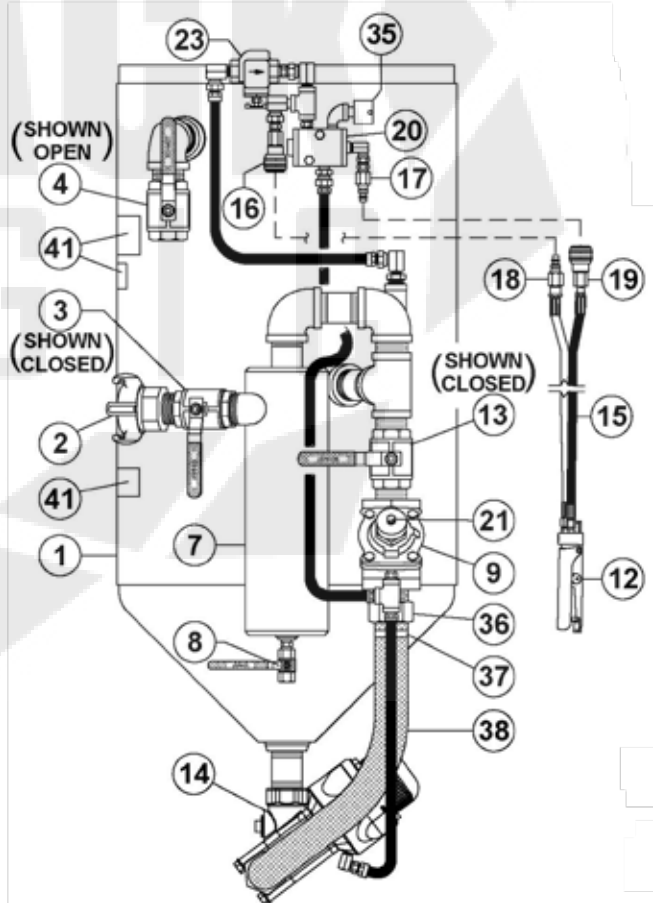


Diagram for 3.5 -20 cuft blaster pots with Schmidt pressure hold metering valve and pneumatic remote controls.



#34 SureFit™ Handway Gasket  
7000-001-18

Schmidt  
Blaster Pots

Non-OEM parts are also available.



3.5 - 20 Cu.Ft. Blaster with Pneumatic Controls - Pressure Hold

#	Piping	Part No.	Description	#	Blast Pot	Part No.	Description	
1	All	1021-003-01C	Pressure Vessel, 3.5 cu. ft.	26	All	specify size	Coupling, Blast hose	
		1021-006-01C	Pressure Vessel, 6.5 cu. ft.	27	All	specify size	Coupling, Threaded	
		1021-010-01C	Pressure Vessel, 10 cu. ft.	28		N/A	N/A	
		1012-020C	Pressure Vessel, 20 cu. ft.	29	See Size	5010-030	Lid, 18" (optional)	
2	1" Piping	4208-106	Crowfoot, 1" 2-lug with gasket			5010-060	Lid, 24" (optional)	
	1-1/4" Piping	4211-107	Crowfoot, 1-1/4" 4-lug / gasket			5010-200	Lid, 36" (optional)	
	1-1/2" Piping	4211-108	Crowfoot, 1-1/2" 4-lug / gasket	30	See Size	5011-030	Screen, 18" (1/4" mesh)	
	All	4211-999	Crowfoot gasket			5011-060	Screen, 24" (1/4" mesh)	
3	1" Piping	2401-506	Ball Valve as Air Inlet, 1"			5011-200	Screen, 36" (1/4" mesh)	
	1-1/4" Piping	2401-507	Ball Valve as Air Inlet, 1-1/4"	31	See Size	7040-003	Axle, 3.5 cu.ft.	
	1-1/2" Piping	2401-508	Ball Valve as Air Inlet, 1-1/2"			7019-519	Nylock nut, 3/4" (3.5 cu.ft.)	
4	All	2401-506	Blowdown Ball Valve, 1"			7040-006	Axle, 6.5/10 cu.ft.	
5	All	2100-010	Popup head			7040-006-02	Axle, 10cf secondary	
6	All	2100-011	Popup gasket			7019-527	Nylock nut, 1" (6.5/10 cu.ft.)	
7	1" Piping	1200-006	Moisture Separator, 1"			N/A	Not available for 20 cu.ft.	
	1-1/4" Piping	1200-007	Moisture Separator, 1-1/4"			32	See Size	7046-003
	1-1/2" Piping	1200-008	Moisture Separator, 1-1/2"	7046-006	Wheel, 6.5/10 cu.ft.			
8	All	2401-502	Drain ball valve, 1/4"	N/A	Not available for 20 cu.ft.			
9	1" Piping	2123-106	Automatic Air Valve, 1"	33	See Size	7002-000	Universal Load Skid, 3.5 & 6.5 cu.ft.	
	1-1/4" Piping	2123-107	Automatic Air Valve, 1-1/4"			N/A	Not available for 10 & 20 cu.ft.	
	1-1/2" Piping	2123-108	Automatic Air Valve, 1-1/2"	34	All	7000-001-18	Handway gasket, 6"x8" (SureFit)	
10	All	Specify Size	Blast hose assy	35	All	2013-402	Dust Eliminator, 1/4"	
11	All	Specify Size	Blast nozzle	36	1" Piping	4205-106	Swivel Insert, 1" /gasket	
12	All	2263-002	G2 Deadman Valve, Pneumatic			4205-106-99	Insert Gasket	
13	1" Piping	2401-506	Ball Valve as Choke Valve, 1"			4205-107	Swivel Insert, 1-1/4" /gasket	
	1-1/4" Piping	2401-507	Ball Valve as Choke Valve, 1-1/4"			4205-107-99	Insert Gasket	
	1-1/2" Piping	2401-508	Ball Valve as Choke Valve, 1-1/2"	4205-108	Swivel Insert, 1-1/2" /gasket			
14	1" Piping	21xx-x06	Thompson Valve, 1", See Thompson Valve page	37	1-1/2" Piping	4205-108-99	Insert Gasket	
	1-1/4" Piping	21xx-x07	Thompson Valve, 1-1/4", See Thompson Valve page			1" Piping	4235-006	Hose clamp, double bolt, 1"
	1-1/2" Piping	21xx-x08	Thompson Valve, 1-1/2", See Thompson Valve page			1-1/4" Piping	4235-007	Hose clamp, double bolt, 1-1/4"
15	All	4100-501	Twinline hose assy, 55 ft.	38	1-1/2" Piping	4235-008	Hose clamp, double bolt, 1-1/2"	
		4100-701	Twinline hose assy, 110 ft.			1" Piping	4102-006	Air Hose, 1"
16	All	4224-301-02	Female Quick Connect, 1/4"	1-1/4" Piping	4102-007	Air Hose, 1-1/4"		
17 & 18	All	4224-300-02	Male Quick Connect, 1/4"	1-1/2" Piping	4102-008	Air Hose, 1-1/2"		
19	All	4224-301-02	Female Quick Connect, 1/4"	39	All	7119-002	Safety Pin, hose coupling	
20	All	2229-000	Pneumatic Control Valve	40	All	8710-98778	Hose Whip Check, (safety cable)	
21	All	2014-300	Breather vent, 1/8"	41	All	7031-999-02	Warning decal kit	
22	All	7000-001-11	Handway assy, 6"x8" with gasket	42	All	3030-006-xx	Pop-Up Nipple	
23	All	2301-902-90	Bronze Strainer, 1/4" 90 micron	43	All	3010-00x-xx	Reducing Elbow	
24	All		Pressure vessel nameplate	44	All	3029-00x-xx	Nipple TBE	
25	All	specify size	Nozzle holder specify material					

Schmidt  
Blast Pots



3.5 - 20 Cu.Ft. Blaster with Electric Controls - Pressure Hold

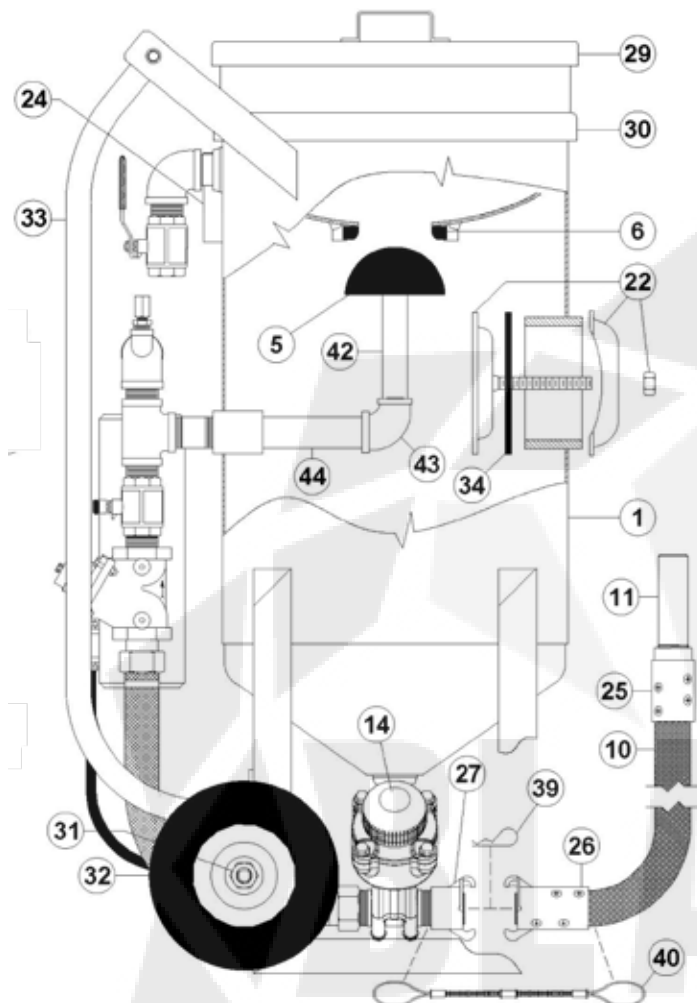
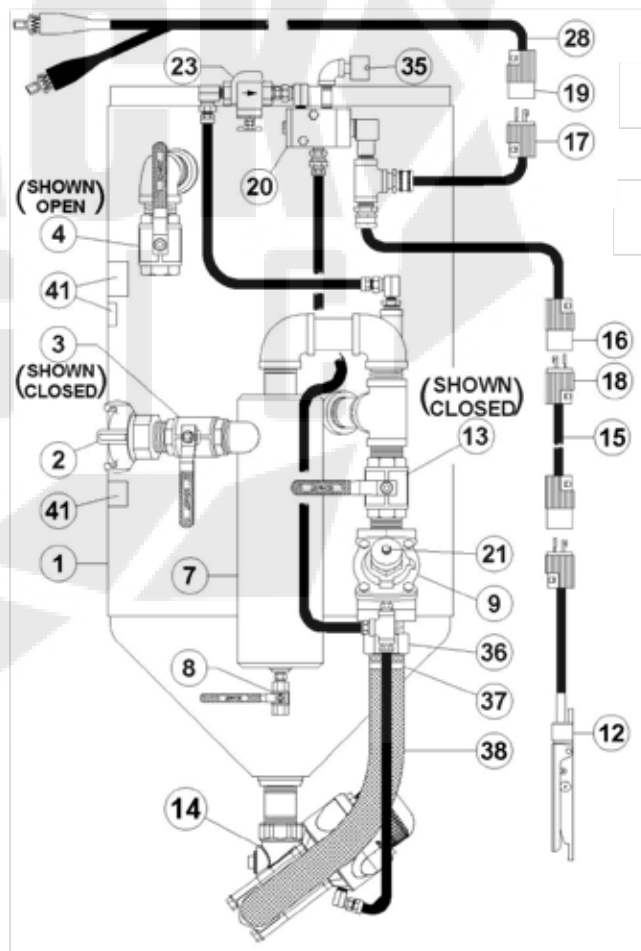


Diagram for 3.5 -20 cuft blast pots with Schmidt pressure hold metering valve and electric remote controls.



#34 SureFit™ Handway Gasket  
7000-001-18

Schmidt  
Blast Pots





3.5 - 20 Cu.Ft. Blaster with Electric Controls - Pressure Hold

#	Piping	Part No.	Description	#	Blast Pot	Part No.	Description		
1	All	1021-003-01C	Pressure Vessel, 3.5 cu. ft.	25	All	specify size	Nozzle holder specify material		
		1021-006-01C	Pressure Vessel, 6.5 cu. ft.	26	All	specify size	Coupling, Blast hose		
		1021-010-01C	Pressure Vessel, 10 cu. ft.	27	All	specify size	Coupling, Threaded		
		1012-020C	Pressure Vessel, 20 cu. ft.	28	All	7027-012	Power Cord, 25 ft w/alligator clips		
2	1" Piping	4208-106	Crowfoot, 1" 2-lug with gasket	29	See Size	5010-030	Lid, 18" (optional)		
	1-1/4" Piping	4211-107	Crowfoot, 1-1/4" 4-lug / gasket			5010-060	Lid, 24" (optional)		
	1-1/2" Piping	4211-108	Crowfoot, 1-1/2" 4-lug / gasket			5010-200	Lid, 36" (optional)		
	All	4211-999	Crowfoot gasket			5011-030	Screen, 18" (1/4" mesh)		
3	1" Piping	2401-506	Ball Valve as Air Inlet, 1"	30	See Size	5011-060	Screen, 24" (1/4" mesh)		
	1-1/4" Piping	2401-507	Ball Valve as Air Inlet, 1-1/4"			5011-200	Screen, 36" (1/4" mesh)		
	1-1/2" Piping	2401-508	Ball Valve as Air Inlet, 1-1/2"			31	See Size	7040-003	Axle, 3.5 cu.ft.
4	All	2401-506	Blowdown Ball Valve, 1"	7019-519	Nylock nut, 3/4" (3.5 cu.ft.)				
5	All	2100-010	Popup head	7040-006	Axle, 6.5/10 cu.ft.				
6	All	2100-011	Popup gasket	7040-006-02	Axle, 10cf secondary				
7	1" Piping	1200-006	Moisture Separator, 1"	7019-527	Nylock nut, 1" (6.5/10 cu.ft.)				
	1-1/4" Piping	1200-007	Moisture Separator, 1-1/4"	N/A	Not available for 20 cu.ft.				
	1-1/2" Piping	1200-008	Moisture Separator, 1-1/2"	32	See Size			7046-003	Wheel, 3.5 cu.ft.
8	All	2401-502	Drain ball valve, 1/4"					7046-006	Wheel, 6.5/10 cu.ft.
9	1" Piping	2123-106	Automatic Air Valve, 1"					N/A	Not available for 20 cu.ft.
	1-1/4" Piping	2123-107	Automatic Air Valve, 1-1/4"	33	See Size			7002-000	Univseral Load Skid, 3.5 & 6.5 cu.ft.
	1-1/2" Piping	2123-108	Automatic Air Valve, 1-1/2"			N/A	Not available for 10 & 20 cu.ft.		
10	All	Specify Size	Blast hose assy	34	All	7000-001-18	Handway gasket, 6"x8" (SureFit)		
11	All	Specify Size	Blast nozzle	35	All	2013-402	Dust Eliminator, 1/4"		
12	All	2263-402	G2 Deadman valve, Electric	36	1" Piping	4205-106	Swivel Insert, 1" /gasket		
13	1" Piping	2401-506	Ball Valve as Choke Valve, 1"		1" Piping	4205-106-99	Insert Gasket		
	1-1/4" Piping	2401-507	Ball Valve as Choke Valve, 1-1/4"		1-1/4" Piping	4205-107	Swivel Insert, 1-1/4" /gasket		
	1-1/2" Piping	2401-508	Ball Valve as Choke Valve, 1-1/2"		1-1/4" Piping	4205-107-99	Insert Gasket		
	14	1" Piping	21xx-x06		Thompson Valve, 1", See TV page	1-1/2" Piping	4205-108	Swivel Insert, 1-1/2" /gasket	
1-1/4" Piping		21xx-x07	Thompson Valve, 1-1/4", See TV page		1-1/2" Piping	4205-108-99	Insert Gasket		
1-1/2" Piping		21xx-x08	Thompson Valve, 1-1/2", See TV page		37	1" Piping	4235-006	Hose clamp, double bolt, 1"	
15	All	7074-055	Extension Cord, 55 ft				1-1/4" Piping	4235-007	Hose clamp, double bolt, 1-1/4"
		7074-110	Extension Cord, 110 ft	1-1/2" Piping			4235-008	Hose clamp, double bolt, 1-1/2"	
16	All	7109-300	Female Connector, 3-prong twist lock	38	1" Piping	4102-006	Air Hose, 1"		
17 & 18	All	7109-301	Male Plug, 3-prong twist lock			1-1/4" Piping	4102-007	Air Hose, 1-1/4"	
19	All	7109-300	Female Connector, 3-prong twist lock			1-1/2" Piping	4102-008	Air Hose, 1-1/2"	
20	All	2229-000	Pneumatic Control Valve	39	All	7119-002	Safety Pin, hose coupling		
	All	7112-000	Power Tee, 12Vdc w/coil & connector	40	All	8710-98778	Hose Whip Check, (safety cable)		
21	All	2014-300	Breather vent, 1/8"						
22	All	7000-001-11	Handway assy, 6"x8" with gasket	41	All	7031-999-02	Warning decal kit		
23	All	2301-902-90	Bronze Strainer, 1/4" 90 micron	42	All	3030-006-xx	Pop-Up Nipple		
24	All		Pressure vessel nameplate	43	All	3010-00x-xx	Reducing Elbow		
				44	All	3029-00x-xx	Nipple TBE		

Schmidt Blast Pots

